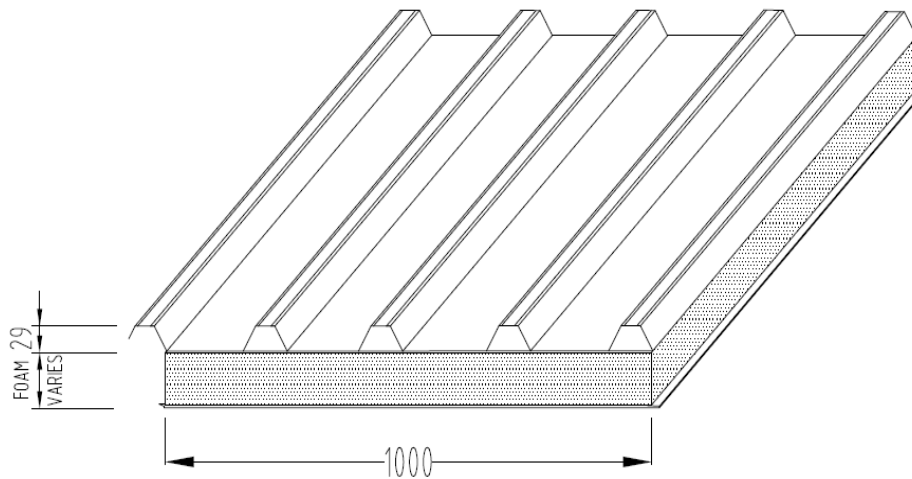




INSTRUCTION MANUAL

FOR

INSTALLATION OF



NorDeck[®] ROOFING PANELS

PERSONAL PROTECTIVE EQUIPMENT (PPE) REQUIREMENTS

 PROTECTIVE CLOTHING MUST BE WORN	 EYE PROTECTION MUST BE WORN	 HAND PROTECTION MUST BE WORN	 FOOT PROTECTION MUST BE WORN	 HEARING PROTECTION MUST BE WORN IN THIS AREA
--	---	--	---	--

A.B.N. 57 011 000 070
QBCC: 1054957

Phone: (07) 4774 4983
Fax: (07) 4774 4986

Email: sales@norfoam.com.au

123 Enterprise Street
Bohle QLD 4818

Manufactures of Polystyrene Packaging (CFC Free Products), Insulated Panel, Coldrooms, Freezers, Patio Roofs & Plenty More

INTRODUCTION

This Installation manual has been produced by Norfoam to supply the necessary information for safe and correct installation of this system.

INSTALLERS RESPONSIBILITY

Before installing, please read & ensure you understand the safety information and installation instructions as defined in this installation manual.

- If you do not fully understand these instructions, contact Norfoam for clarification before installing.
- The Installer is responsible to ensure that all installation personnel have been adequately trained on the safe & correct installation and operation.
- The Installer is responsible to ensure that a Job Safety Analysis or Safe Work Method Statement is completed prior to installation to identify hazards, to determine appropriate risk control measures and to implement the control measures.
- The Installer is responsible to ensure that supporting structures are sound and can adequately support the load.
- The Installer is responsible to ensure that the devices used to anchor the product to the supporting structure are suitable for the application.

SAFETY INFORMATION

- Ensure Job Safety Analysis/Safe Work Method Statement is completed and actions to reduce risks are implemented.
- Ensure that electrical works are done only by a LICENSED ELECTRICIAN.

PERSONNEL REQUIREMENTS

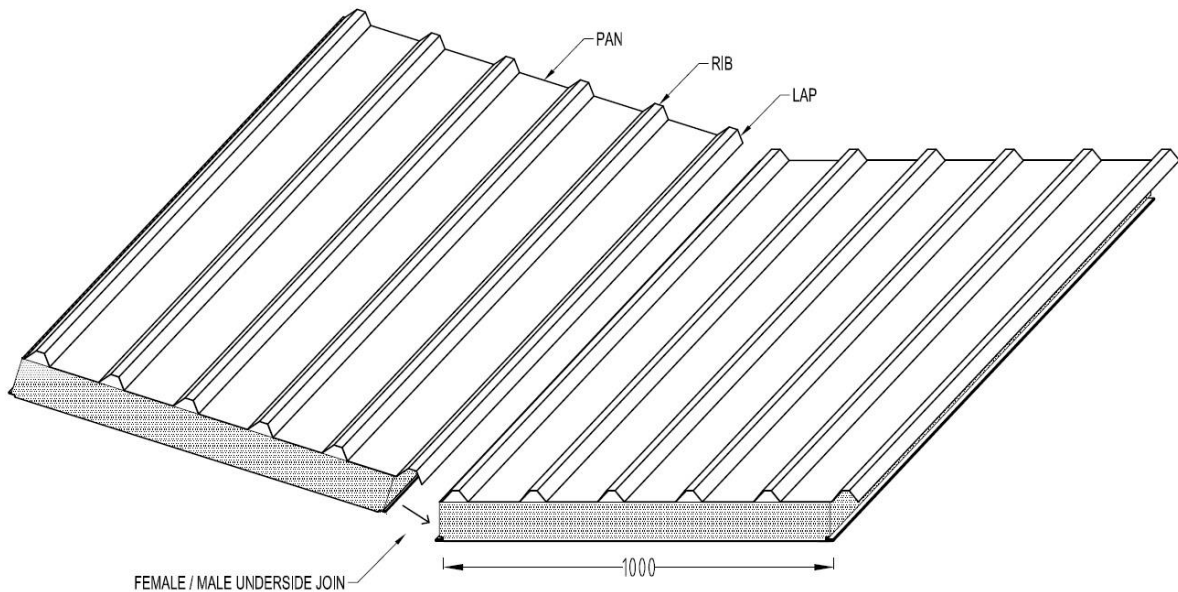
Only suitably trained/qualified personnel should undertake installation.

DISCLAIMER

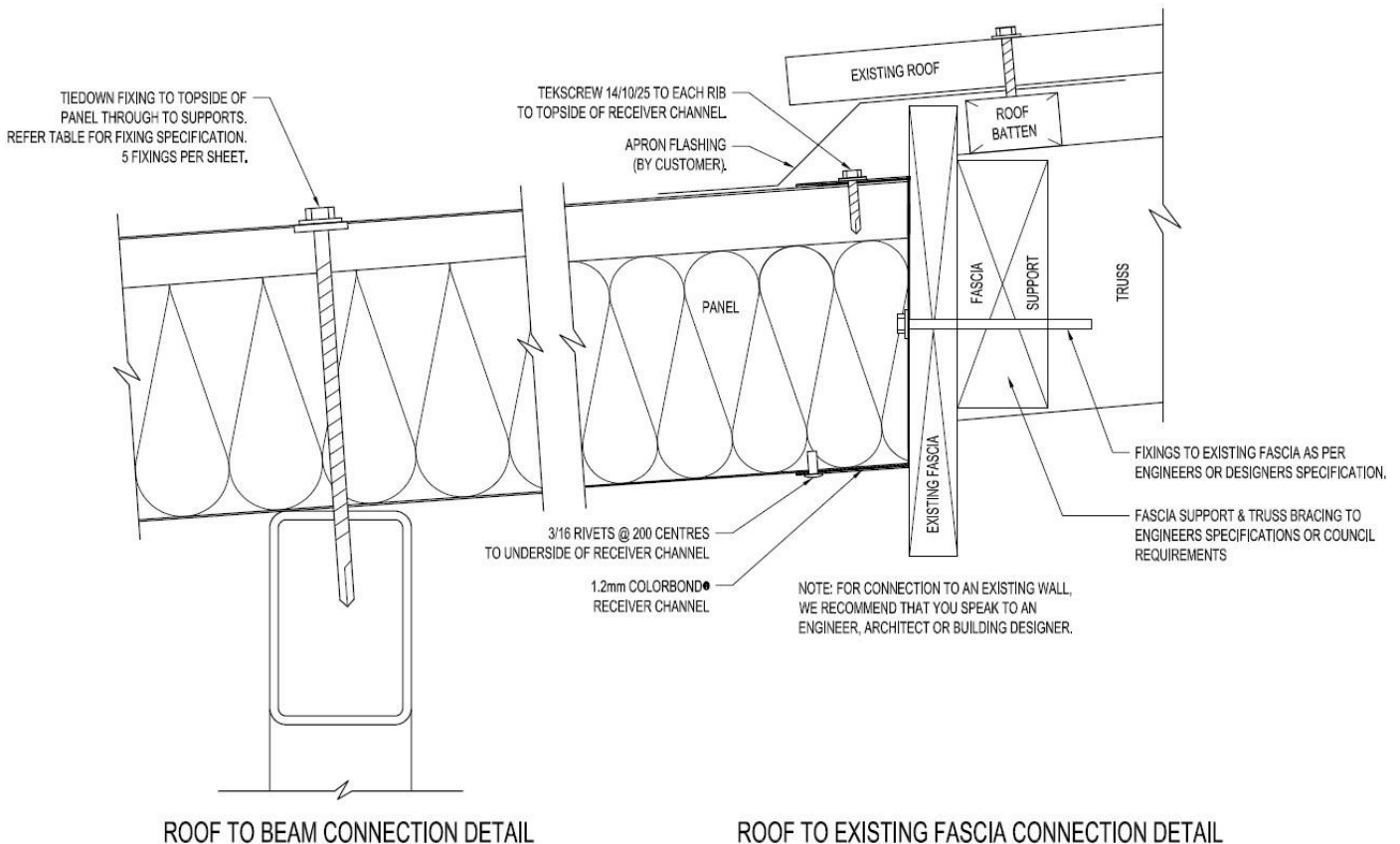
Norfoam has used reasonable care in preparing the information included in this document, but makes no representations or warranties as to the completeness or accuracy of the information. Information is supplied upon the condition that the persons receiving the information will make their own determination as to its suitability for their purposes prior to use. Norfoam assumes no liability whatsoever for any damages incurred by you resulting from errors in or omissions from the information included herein. Norfoam reserves the right to make changes without further notice to any products to improve reliability, function or design.

Norfoam NorDeck Installation Guide

- Complete any structural strengthening required as per Engineers/ Architects/Building Designer's specifications.
- Unwrap and check product supplied for any damage during transport, check components against component sheet supplied.
- Secure receiver channel to existing structure as per Engineers/ Architects/Building Designers specifications. Trim and mitre channel as required
- Put carpet or protective cloth over beams so that ceiling panels are not damaged whilst moving into position.
- Lift first sheet into position and ensure that it is square, tack with screw both ends, ensure that the screw does not obstruct the next sheet.



- Lift next panel into place; tack each sheet into place until all panels are in position. Ensure that each panel is square.
- Screw down panels to beams with Insulated panel screws (as per table below) at every rib across 1000mm width. Use 14-10X25 Stitching Screws along panel laps at 900mm Centres.



ROOF TO BEAM CONNECTION DETAIL

ROOF TO EXISTING FASCIA CONNECTION DETAIL

SCREW CHART

PANEL DEPTH	50MM	75MM	100MM	125MM	150MM	200MM
NorDeck® SQUARE - RIB STEEL	125MM 6-310-3716-6C4	150MM 6-310-3717-7C4	175MM 6-310-3777-7C4	205MM 6-310-3714-4C4	230MM 6-310-3719-9C4	275MM NS
Nordeck® SQUARE - RIB TIMBER	150MM 6-030-3364-4C4	175MM 6-030-3366-8C4	200MM 6-030-3368-8C4	NS	NS	275MM NS
FLAT - PANEL STEEL	95MM 6-310-3502-2C4	110MM 6-310-3715-5V4	150MM 6-310-3717-7C4	175MM 6-310-3777-7C4	205MM 6-310-3714-4C4	250MM SERIES 500
FLAT - PANEL TIMBER	10MM 6-030-3361-1C4	125MM 6-030-3363-3C4	150MM 6-030-3364-4C4	175MM 6-030-3366-6C4	200MM 6-030-3368-8C4	250MM SERIES 500

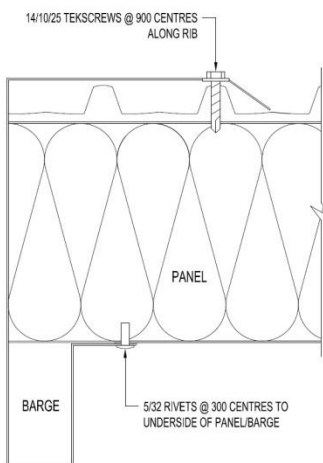
NS = Not Standard

Timber	+35mm
Embedment Steel	+25mm (allow at least 3 threads through steel)
Steel	+6mm (allowance for steel thickness)
Multiseal	+10mm

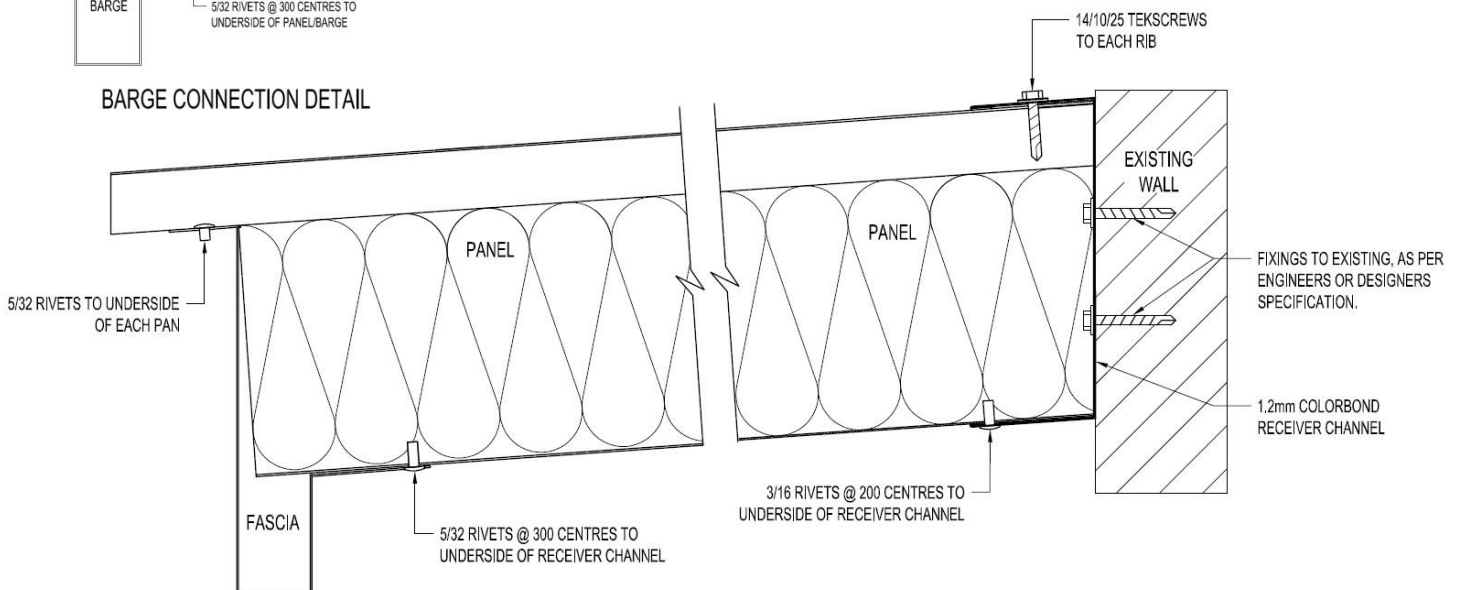
15-04-2013

Norfoam Use and Recommend Buildex® Screws

- Secure top edge of panel to top side of receiver channel with 14-10X25 tek screws and underside of panel with 3/16 rivet's at 200mm centres to bottom of receiver channel
- Install supplied fascia with 5/32 rivet's at each pan to topside and 300mm to underside of panel. Trim and mitre as required
- Install supplied barges with 14/10X25 tek screws at 900mm centres to top side of panel and 5/32 rivets at 300mm centres to underside of panel. Trim and mitre as required
- Install guttering as per manufacturers spec.
- Install apron flashing (not supplied) as per Engineers/Architects/Building Designer's specifications.



BARGE CONNECTION DETAIL



FASCIA CONNECTION DETAIL

RECEIVER CHANNEL CONNECTION DETAIL