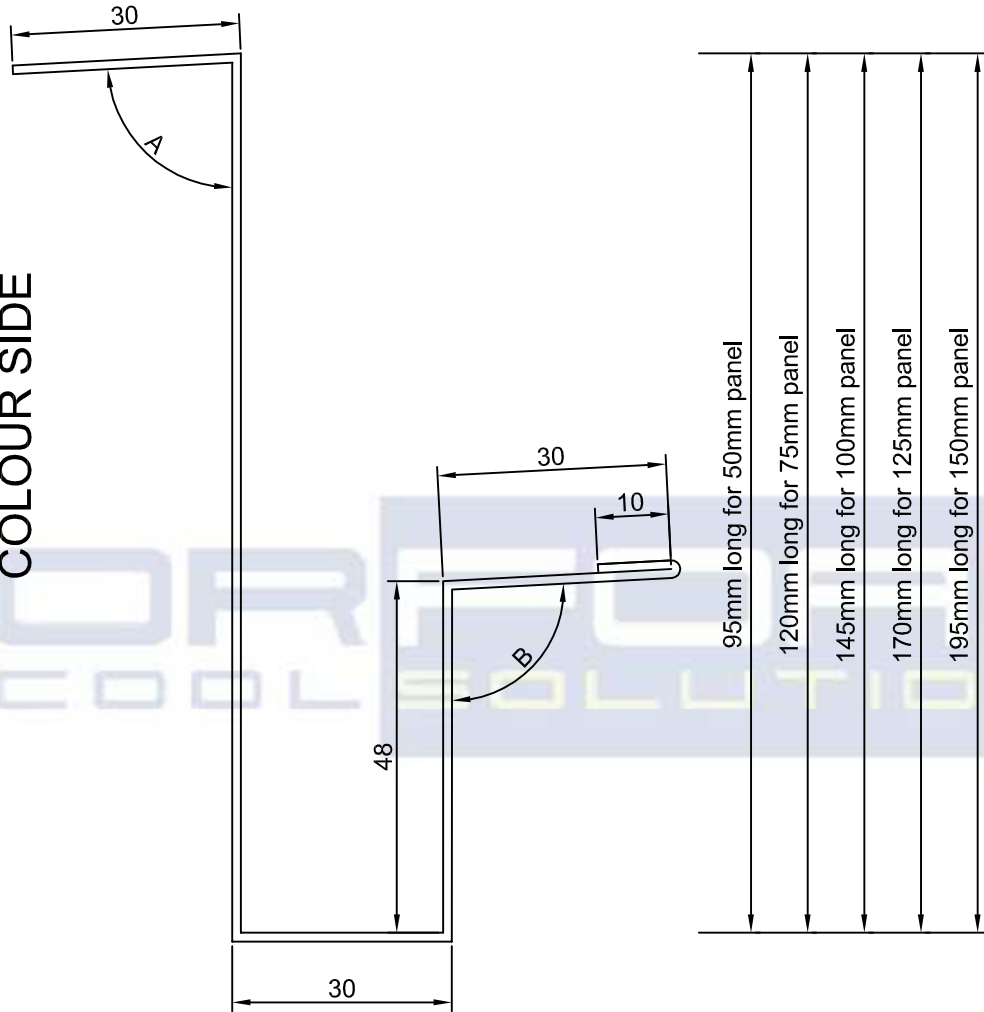


COLOUR SIDE



A - TO SUIT ROOF PITCH  
(90° - ROOF PITCH)

B - TO SUIT ROOF PITCH  
(90° + ROOF PITCH)



123 ENTERPRISE ROAD  
BOHLE QLD 4812  
PH: (07) 4774 4983  
FAX: (07) 4774 4986  
EMAIL: drafting@norfoam.com.au

DESCRIPTION

NORFOAM STANDARD COMPONENTS

FLAT PANEL FASCIA

DESCRIPTION

0.6 COLORBOND AS ADVISED

DRAWN

RJG

CHECKED

SCALE

NTS

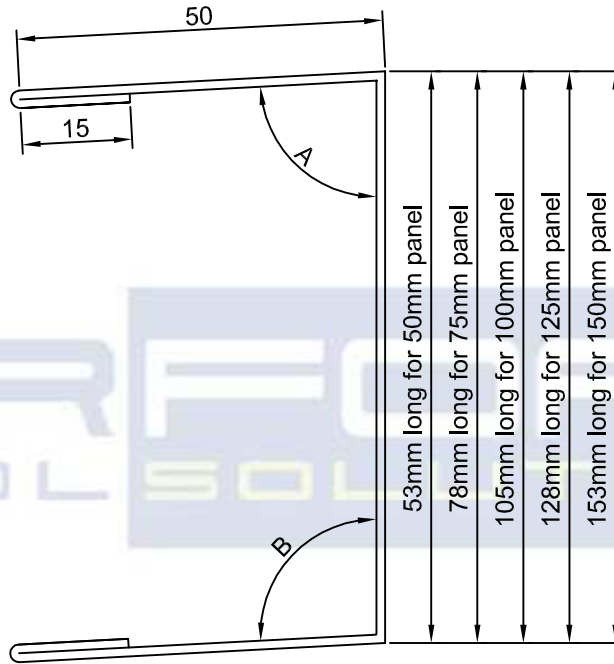
DATE

18/11/14

DRAWING NUMBER

N/A

## COLOUR SIDE



A - TO SUIT ROOF PITCH  
(90° - ROOF PITCH)

B - TO SUIT ROOF PITCH  
(90° + ROOF PITCH)



123 ENTERPRISE ROAD  
BOHLE QLD 4812  
PH: (07) 4774 4983  
FAX: (07) 4774 4986  
EMAIL: [drafting@norfoam.com.au](mailto:drafting@norfoam.com.au)

DESCRIPTION

NORFOAM STANDARD COMPONENTS

**FLAT PANEL RECEIVER CHANNEL**

DESCRIPTION

**1.2 COLORBOND SURFMIST**

DRAWN

RJG

CHECKED

SCALE

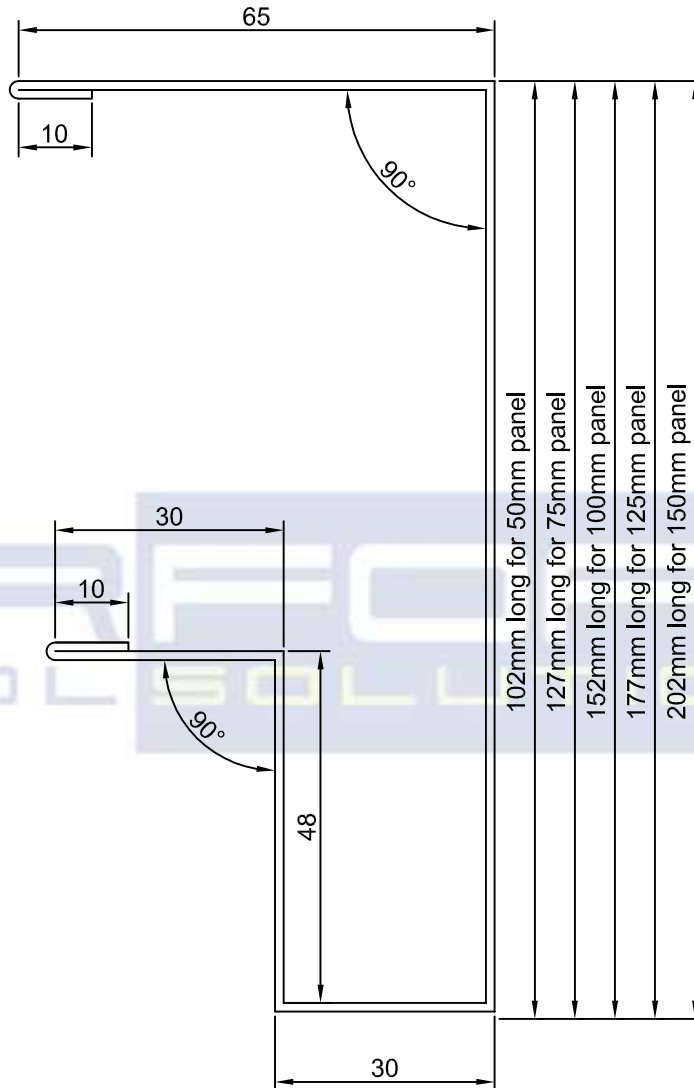
NTS

DATE

18/11/14

DRAWING NUMBER

# COLOUR SIDE



123 ENTERPRISE ROAD  
 BOHLE QLD 4812  
 PH: (07) 4774 4983  
 FAX: (07) 4774 4986  
 EMAIL: [drafting@norfoam.com.au](mailto:drafting@norfoam.com.au)

DESCRIPTION

NORFOAM STANDARD COMPONENTS

**FLAT PANEL SIDE BARGE**

DESCRIPTION

0.6 COLORBOND AS ADVISED

DRAWN

RJG

CHECKED

SCALE

NTS

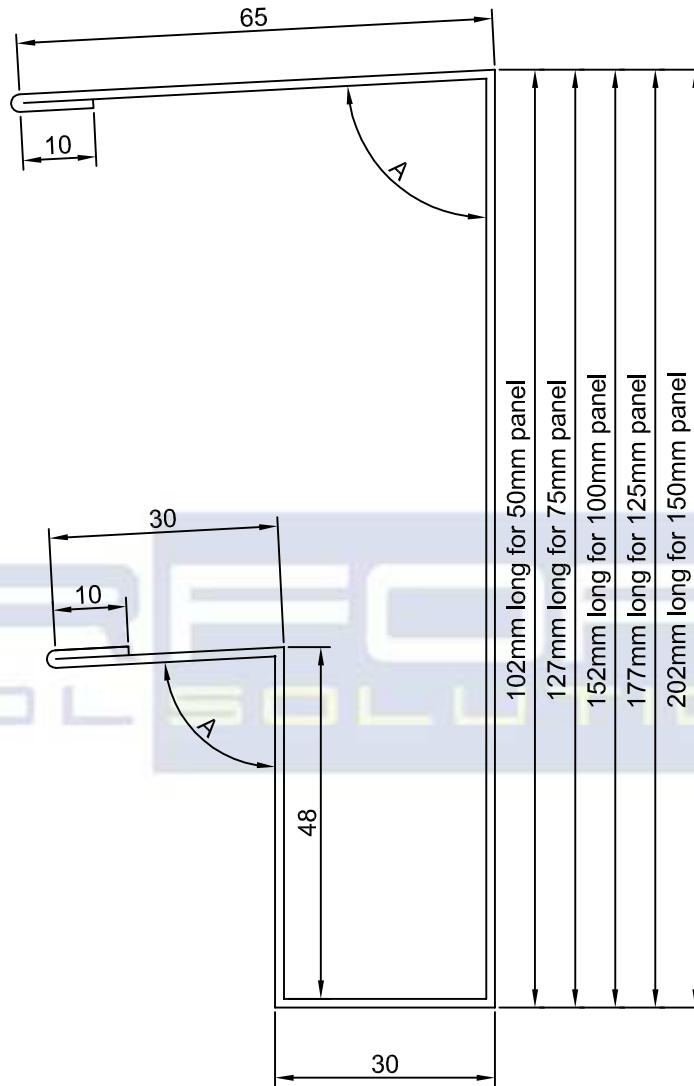
DATE

18/11/14

DRAWING NUMBER

N/A

## COLOUR SIDE



A - TO SUIT ROOF PITCH  
(90° - ROOF PITCH)



123 ENTERPRISE ROAD  
BOHLE QLD 4812  
PH: (07) 4774 4983  
FAX: (07) 4774 4986  
EMAIL: [drafting@norfoam.com.au](mailto:drafting@norfoam.com.au)

DESCRIPTION

NORFOAM STANDARD COMPONENTS

**FLAT PANEL TOP BARGE**

DESCRIPTION

0.6 COLORBOND AS ADVISED

DRAWN

RJG

CHECKED

SCALE

NTS

DATE

18/11/14

DRAWING NUMBER

N/A